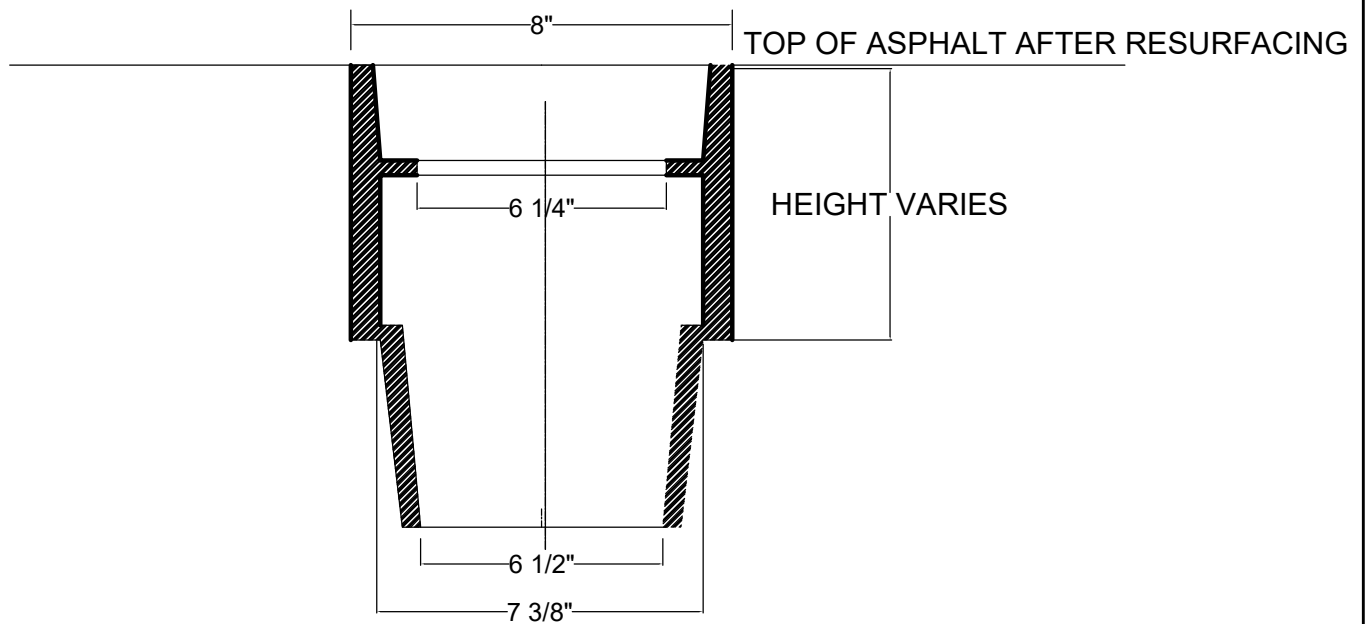



VALVE BOX LID



VALVE BOX RISER

NOTES;

1. CONTACT UTILITY PROVIDER BEFORE COMMENCING ANY WORK.
2. REMOVE EXISTING VALVE BOX LID.
3. INSERT VALVE BOX RISER WITH CORRECT HEIGHT DIMENSION TO ADJUST TOP TO FINISHED GRADE AND REPLACE VALVE BOX LID.

SECTION: STREETS	<p>ADJUST WATER VALVE BOX TO GRADE</p>	<p>PUBLIC SERVICES DEPARTMENT</p>
DATE: 2021		 <p>Town of Leland</p>
DRAWN BY: JWP		<p>DETAIL NO. ST - 23</p>
CHECKED BY: TOWN PSD		
SCALE: NOT TO SCALE		