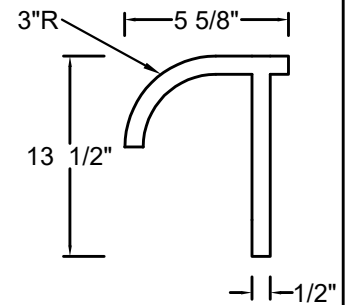
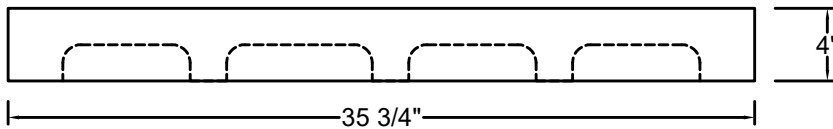
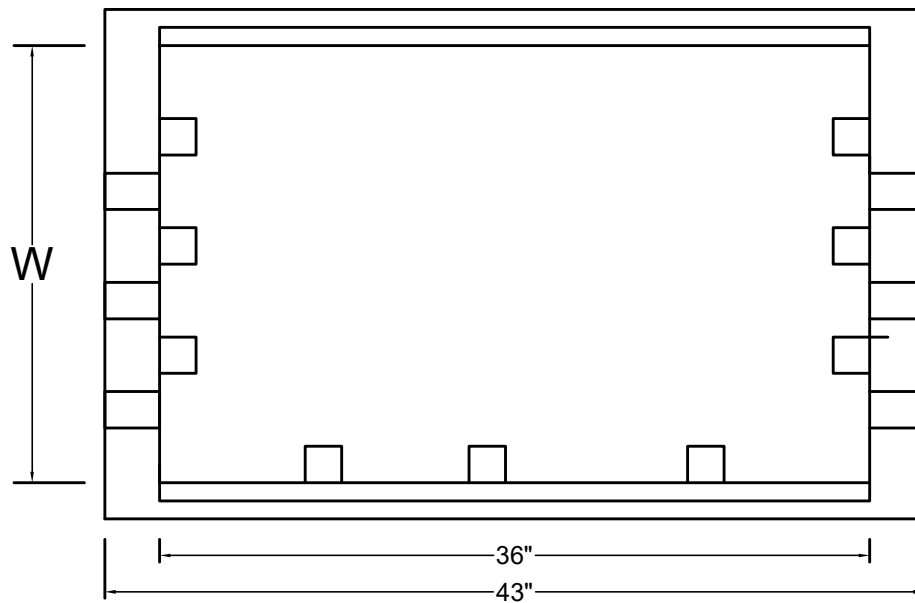



SECTION A-A



**NOTES:**

1. TOP OF HOOD SHOULD BE STAMPED WITH "DRAINS TO WATERWAYS, DO NOT DUMP".
2. FOR 30" VERTICAL CURB AND GUTTER, W = 27 1/4"
3. FOR 24" VERTICAL CURB AND GUTTER, W = 18.00"

SECTION: STORMWATER	36" CATCH BASIN FRAME, GRATE, AND HOOD FOR 24" AND 30" VERTICAL CURB AND GUTTER	PUBLIC SERVICES DEPARTMENT
DATE: 2021		
DRAWN BY: JWP		
CHECKED BY: TOWN PSD		
SCALE: NOT TO SCALE		